





CHARGERMAN

# Company Honors





## About Us



**Olink** is an IATF16949 & IPC620 certified manufacturer who focus on trouble-shooting technology in EV supply equipment and connection industry for more than 10 years. We position us as extreme demand solution provider for EVSE, which mean Olink extremely focus on products quality, performance, affordable, delivery, one-stop solution, after-sales service. Our products range from EV adapters, EV chargers both AC and DCFC, EV charger connectors and inlets. All our products are with CE, ETL, UL, FCC and RoHS compliance.

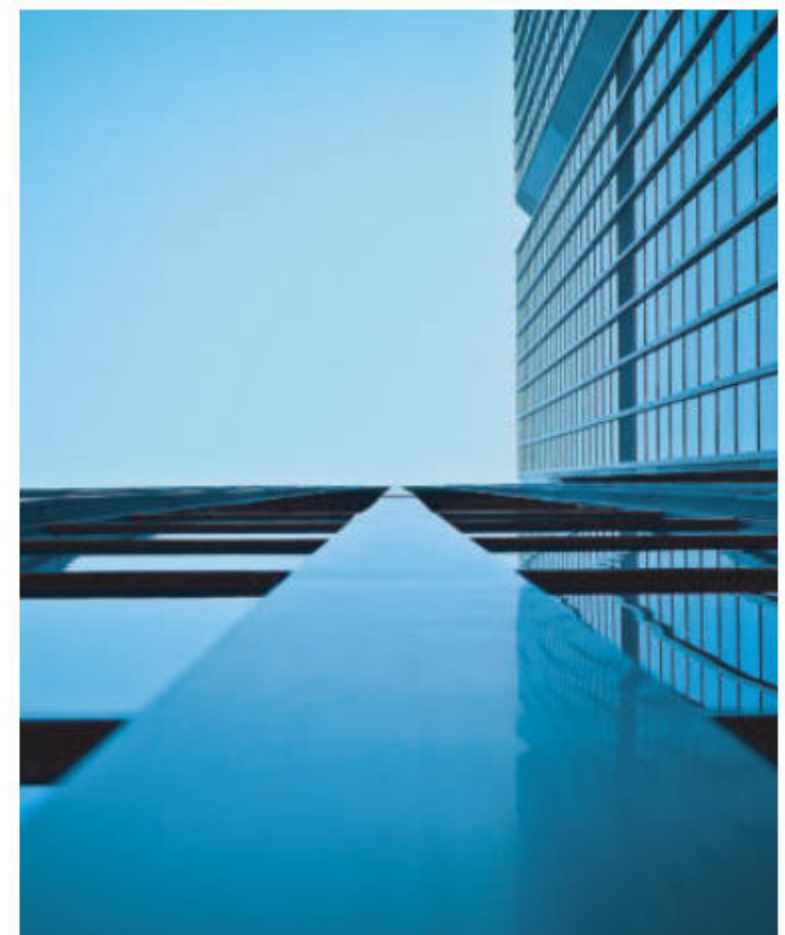
As the first company in the world who issue the 3rd party 200 kilowatts CCS1-Tesla adapter, Olink has been the leader on EV charger adapter to release 20 more new EV charging products each year, bring charging freedom for both Tesla and Non-Tesla EV car owners. With professional Lab and R&D department, Olink continue providing customers with speedy stable and safety EV charging equipment such as GB/T, CCS1, CCS2, NACS, J1772, Type 2 and the related connectors and inlets. Our professional R&D team, enthusiastic service team ensure all customers satisfy with our customized ODM, OEM demands. Contact us to get sharp advantage on EVSE products.

### EV charger includes:

AC chargers and DC chargers, ccs1 charger, ccs2 charger, tesla charger, NACS charger, NACS inlets level 2 charger, level 3 charger, mode 2 charger, mode 3 charger, DCFC

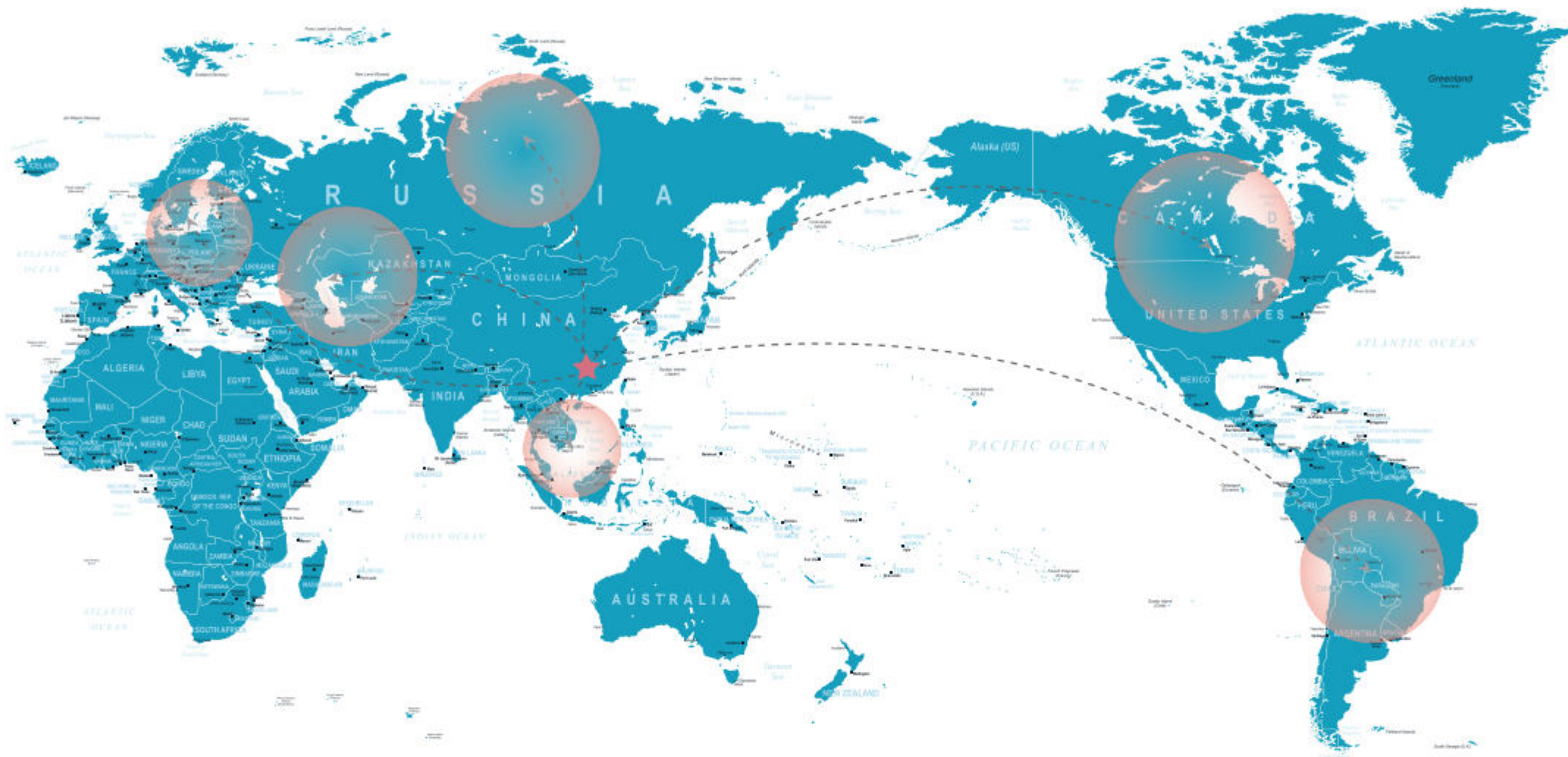
### EV adapters includes:

CCS1- TESLA, TESLA- CCS1, J1772- TESLA, TESLA- J1772, J1772- TYPE 2, TYPE 2- J1772, J1772- GBT, TYPE 2- GBT, CCS2- TYPE 2, CCS1- CCS2, CCS2- CCS1, CCS1- GBT, CCS2- GBT, GBT- CCS1, GBT- CCS2, TESLA- CCS2, CCS2- TESLA, TYPE 2- TESLA, TESLA- TYPE 2, J1772 V2L DISCHARGE, TYPE 2 V2L DISCHARGE, GBT V2L DISCHARGE





# Our Markets



- **Production Market**

Since 2010, our electric vehicle charging solutions have helped thousands of forward-thinking businesses around the world adopt electric mobility and achieve their goals. By 2023, our customers and partners will have helped us install one million charging ports to make transport cleaner and more accessible.

- **Our Service**

As charging needs evolve, we'll continue providing the infrastructure and expertise needed to adopt electric mobility—along with all the support to keep customers happy and vehicles on the move. Working together, we can shape a sustainable future of transportation that's better for everyone.



# EV CHARGER ADAPTER :



CCS1 To Tesla



J1772 To Tesla



J1772 To Tesla  
( lockable )



J1772 To Tesla



CCS1 To GBT



GBT To CCS1



J1772 To TYPE 2



CCS1 To CCS2



Tesla TO CCS1



J1772 TO GBT



J1772 V2L  
DISCHARGE



TESLA TO TYPE 2

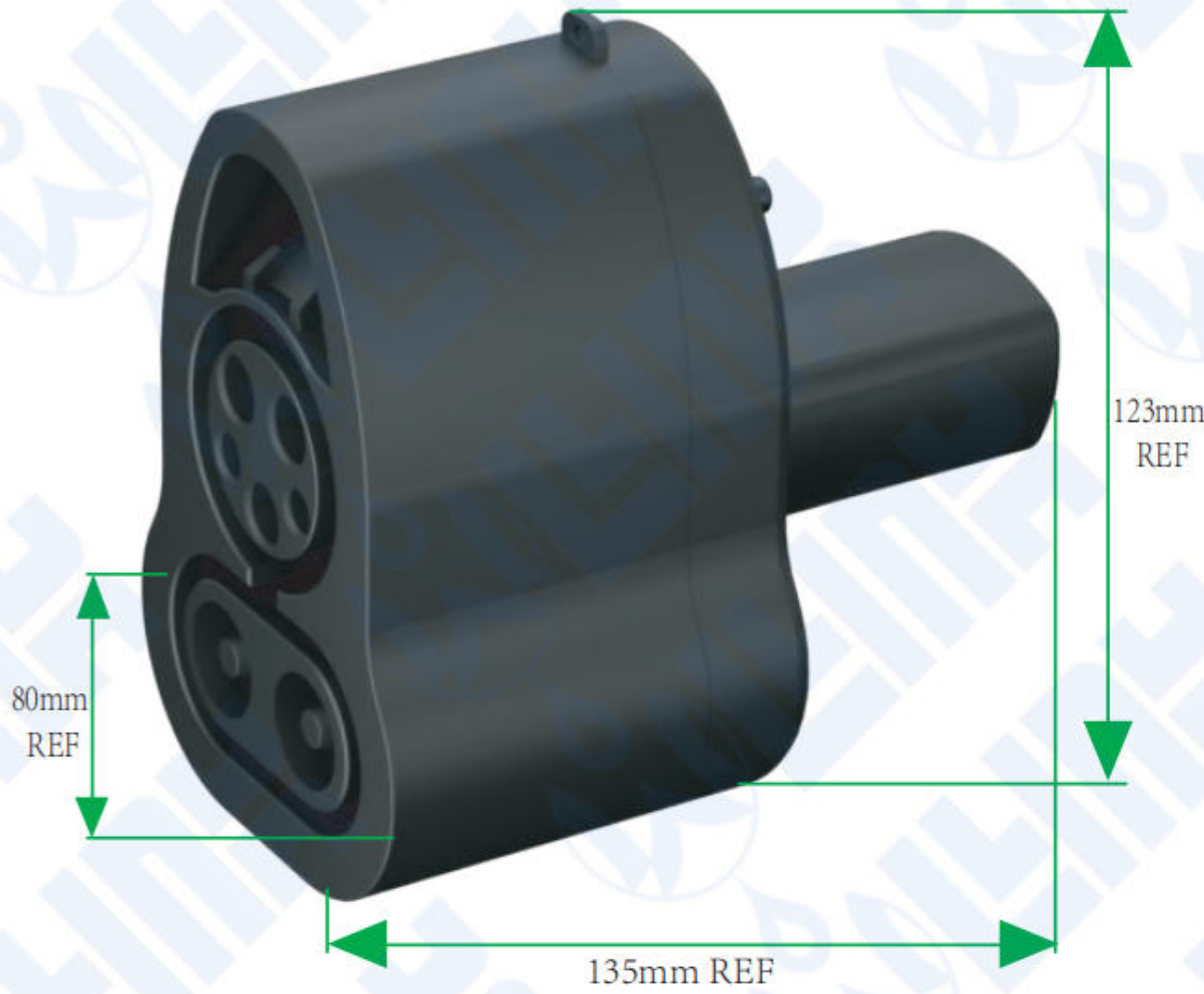


CHARGERMAN

# CCS1 TO TESLA Adapter

Type: American standard DC adapter

Main markets: Markets: North America、Canada、Korea、Mexico



## Product specifications

Specifications	Parameter
Power	Max 250kw
Current	Up to 250A max
Rated voltage	1000V/ DC
Plug lifespan	>10000 times
Protection class	IP54
Certification	CE FCC
Pins	Copper alloy, silver plated
Ecurity	Anti-Theft Lock
Working temperature	-30°C ~50°C
Single temperature kill switch Stops charging when the adapter reaches 90°C	



Output port  
**CCS2**



Input port  
**TESLA**



Easy to take and storage in Tesla center console



Tesla Model S



Tesla Model X



Tesla Model Y



Tesla Model 3



CHARGERMAN

# J1772 TO TESLA Adapter

Type: American standard AC adapter

Main markets: North America, Mexico, Southeast Asia



Output port  
**J1772**



Plug lifespan  
**TESLA**

## Product specifications

Specifications	Parameter
Power	Max 20kw
Current	Up to 80A max
Rated voltage	110V~250V/ AC
Plug lifespan	>10000 times
Protection class	IP54
Certification	CE FCC
Pins	Copper alloy, silver plated
Sealing gasket	silicon rubber
Working temperature	-30°C~50°C
Single temperature kill switch Stops charging when the adapter reaches 90°C	

### Easy to Use

1. Securely push the adapter into the charging port.



2. Connect your J1772 plug to the adapter until you hear a "click".

3. Wait until the indicator turns green.





CHARGERMAN

# TESLA TO J1772 Adapter

Type: Tesla to SAE J1772 Standard, AC charging adapter.

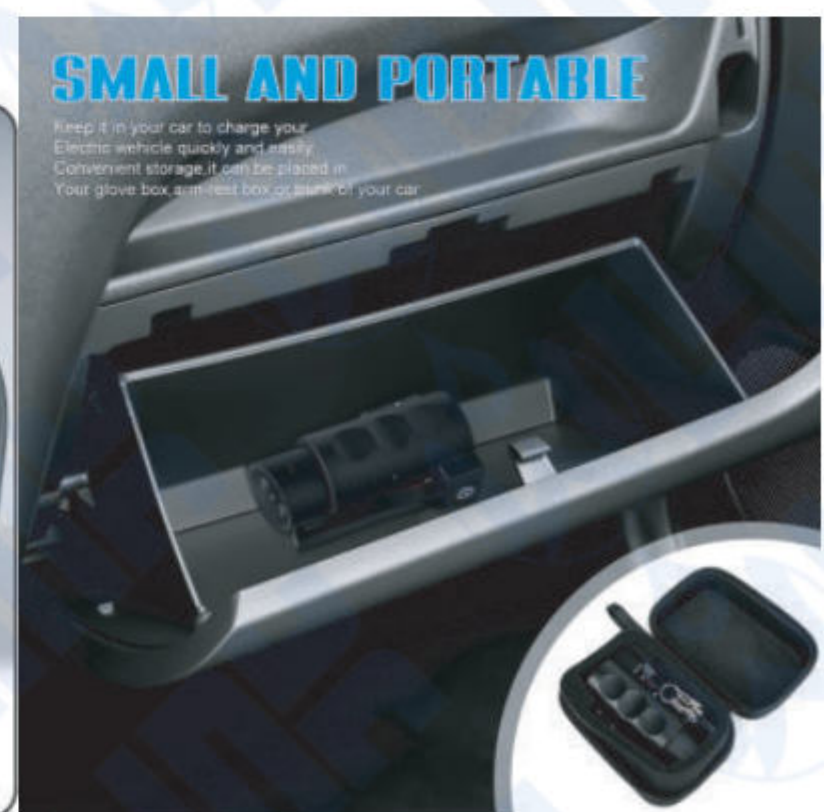
Main markets: USA, Canada, Mexico, Korea, Taiwan, Japan



## Product specifications

Specifications	Parameter
Power	Max 20kw
Current	Up to 80A max
Rated voltage	110V~250V/ AC
Plug lifespan	>10000 times
Protection class	IP54
Certification	CE FCC
Pins	Copper alloy, silver plated
Ecurity	locks into the vehicle while charging.
Working temperature	-30°C~50°C
Single temperature kill switch Stops charging when the adapter reaches 90°C	

## OPERATION INSTRUCTIONS







CHARGERMAN

# TESLA TO J1772 Adapter

Type: Tesla to SAE J1772 Standard, AC charging adapter.

Main markets: USA, Canada, Mexico, Korea, Taiwan, Japan



## Product specifications

Specifications	Parameter
Power	Max 20kw
Current	Up to 80A max
Rated voltage	110V~250V/ AC
Plug lifespan	>10000 times
Protection class	IP54
Certification	CE FCC
Pins	Copper alloy, silver plated
Ecurity	locks into the vehicle while charging.
Working temperature	-30°C~50°C
Single temperature kill switch Stops charging when the adapter reaches 90°C	

**FOR TESLA CHARGER TO J1772 ADAPTER**  
For All EVs with J1772 Charging Port

FOR ALL J1772 EVs

MAX 80A & 250V AC

CE CERTIFIED

FCC CERTIFIED

EASY TO CARRY

Compatible with SAE J1772 Type 1

Audi

BMW

Mini

Kia

Mercedes Benz

Rivian

Chevrolet

Ford

Nissan

Hyundai

All Other J1772 EVs



CHARGERMAN

# CCS1 TO GBT Adapter

Special Feature: American standard to GB DC adapter

Main markets: Mexico, South America, Africa, Southeast Asia



## Product specifications

Specifications	Parameter
Power	Max 200kw
Current	Up to 200A max
Rated voltage	1000V/ DC
Plug lifespan	>10000 times
Protection class	IP54
Certification	CE FCC
Pins	Copper alloy, silver plated
Plastic	PC+ABS
Working temperature	-30°C~50°C
Single temperature kill switch Stops charging when the adapter reaches 90°C	




Output port  
CCS1



Plug lifespan  
GBT



## CHARACTERISTIC




**Fast charging**

Silver plated terminals high conductivity. Quickly and easily charge any of your EVs. With a maximum continuous current of 250ADC and a wide voltage range of 100-1000VDC



**Safety Protection**

Its robust construction with an IP54 enclosure rating ensures durability and protection against dust and water ingress.



**SECURITY ANTI-DROP LOCK**

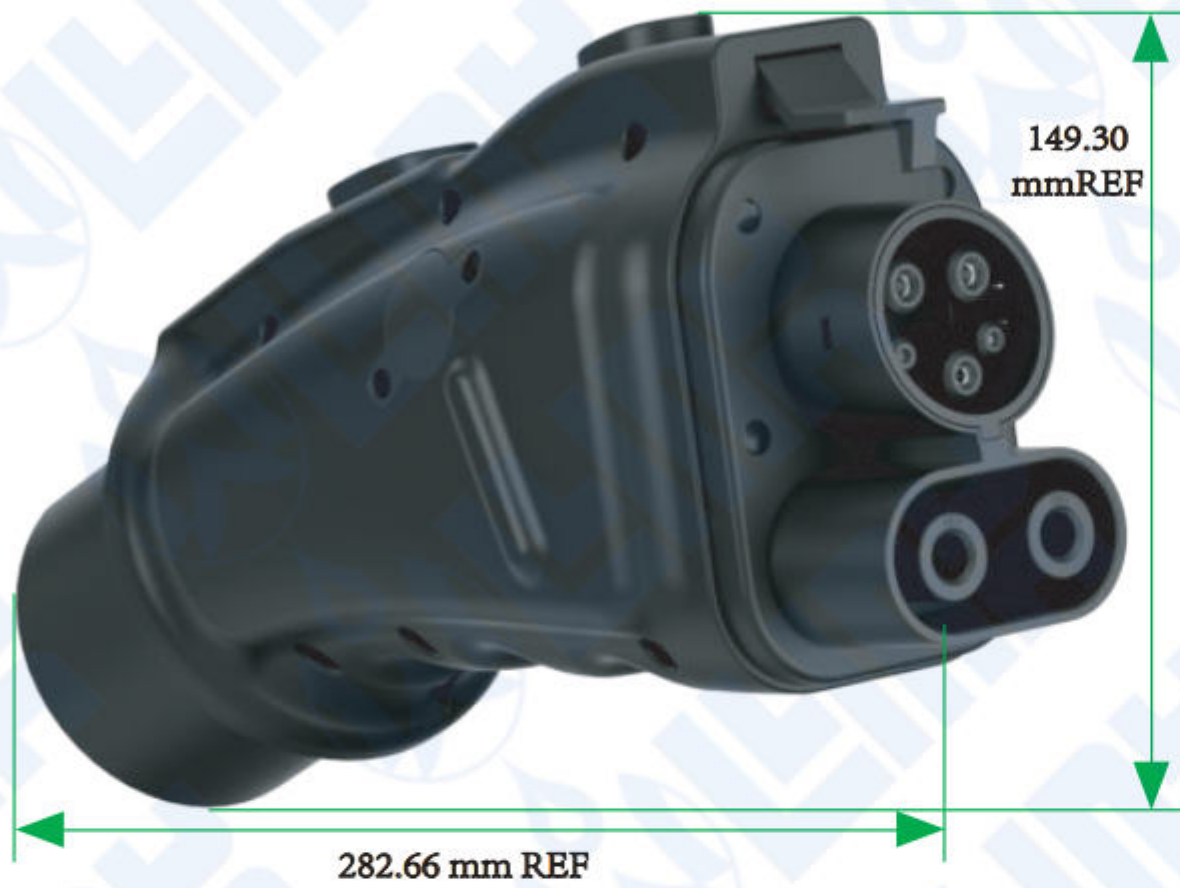
Designed with anti drop lock, can firmly connects the adapter to the charger plug and prevent it from falling down



# GBT TO CCS1 Adapter

Type: High-Speed Charging Solution for CCS1 Electric Vehicles at GBT Charging Stations

Main Markets: Europe, Middle East, Southeast Asia, South America



Output port  
**GBT**



Input port  
**CCS 1**

## Product specifications

Specifications	Parameter
Power	200kw
Current	Up to 200A max
Rated voltage	150~1000V/ DC
Plug lifespan	>10000 times
Protection class	IP54
Certification	CE
Pins	Copper alloy, silver plated
Plastic	PC+ABS
Working temperature	-30°C~50°C
Single temperature kill switch Stops charging when the adapter reaches 90°C	

## HIGH COMPATIBILITY



## GB/T TO CCS1 ADAPTER

⚡ Power: 200Kw    🛡️ Protection level: IP54



High-Speed Charging Solution for CCS1 Electric Vehicles at GBT Charging Stations



CHARGERMAN

# J1772 TO TYPE 2 Adapter

Type: American standard to EU standard AC adapter

Main Markets: Mexico, South America, Africa



## Product specifications

Specifications	Parameter
Power	8kw
Current	Up to 32A max
Rated voltage	240V/ AC
Plug lifespan	>10000 times
Protection class	IP54
Certification	CE FCC
Pins	Copper alloy, silver plated
Housing material	Plastic
Working temperature	-30°C ~50°C
Single temperature kill switch Stops charging when the adapter reaches 90°C	

### J1772 TO TYPE2 ADAPTER

**TYPE 2**  
Plugs into type 2 charging jack on the car side

**J1772**  
Connects to J1772 charging post gun head

CE FCC  
Certification

Compact and  
Not easy to loosen

Protection class:  
IP54

Easy to use  
and portable

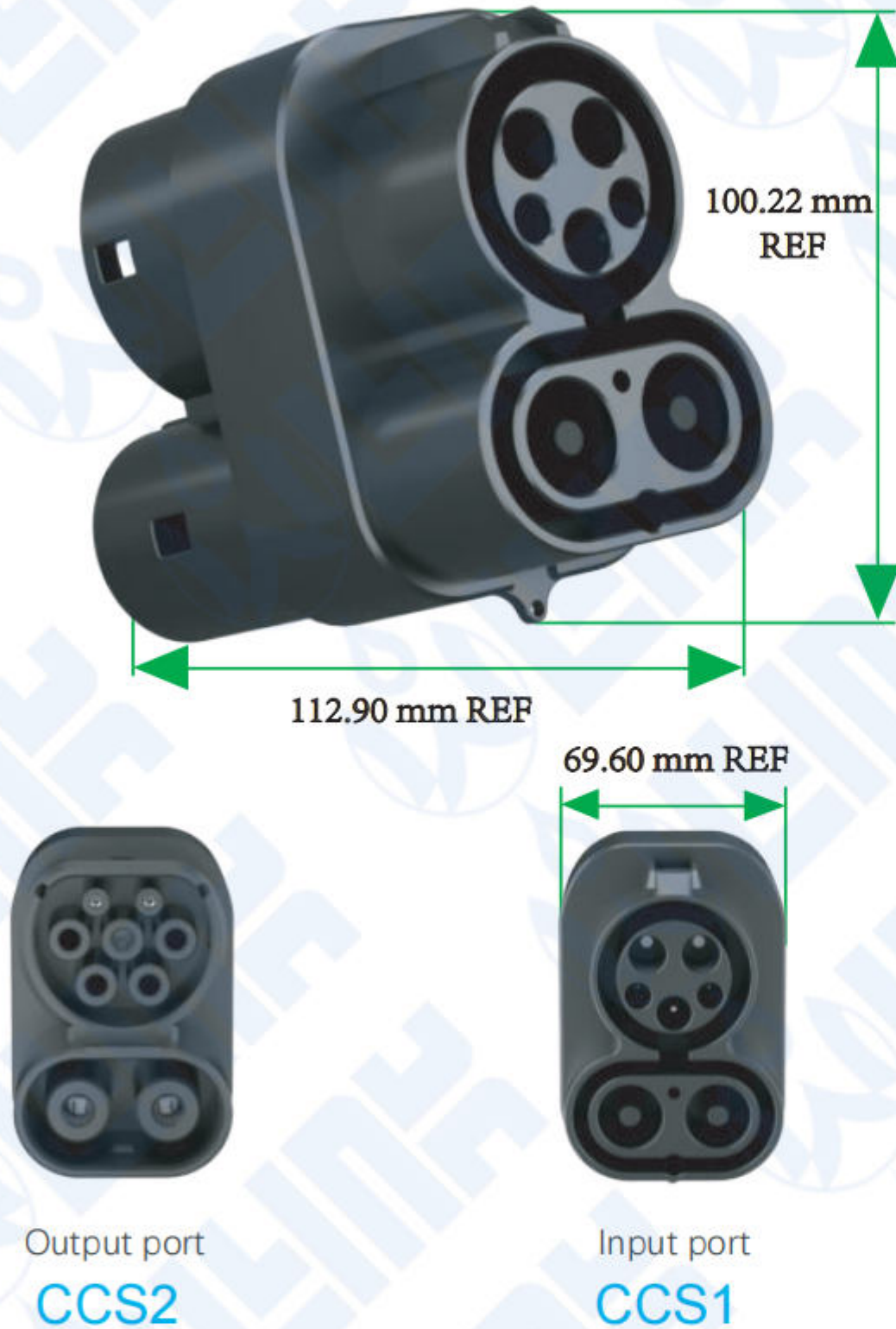




# CCS1 TO CCS2 Adapter

Type. American Standard To Euro Standard AC+DC Adapter

Main Markets: Original European car imported to the United States Charging European cars with American Standard AC+DC fast charger CCS1



Product specifications	
Specifications	Parameter
Power	Max200kw
Current	Up to 200A max
Rated voltage	1000V/ DC
Plug lifespan	>10000 times
Protection class	IP54
Certification	CE FCC
Pins	Copper alloy, silver plated
Housing material	Plastic
Working temperature	-30°C~50°C
Single temperature kill switch Stops charging when the adapter reaches 90°C	

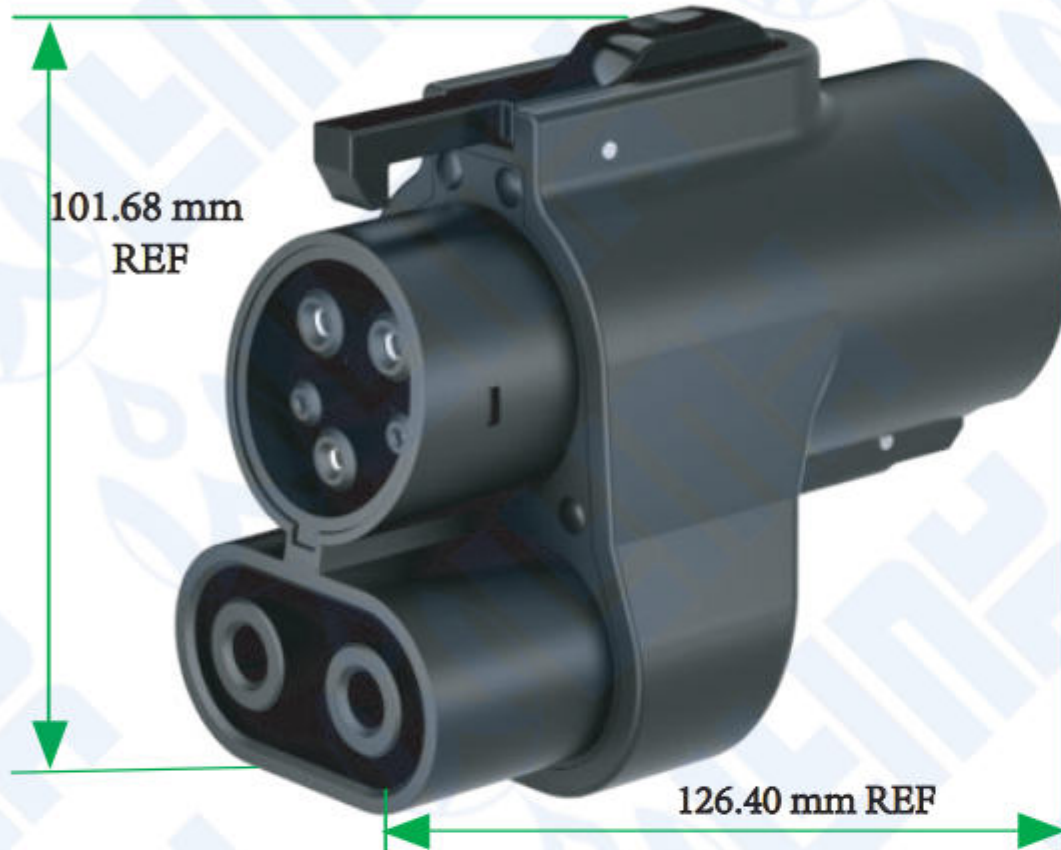




# TESLA TO CCS1 Adapter

Type: Tesla to CCS Standard DC adapter

Main Markets: North America、Canada、Korea、Mexico



Output port  
CCS1



Input port  
TESLA

## Product specifications

Specifications	Parameter
Power	Max 200kw
Current	Up to 200A max
Rated voltage	500~1000V/ DC
Plug lifespan	>10000 times
Protection class	IP54
Certification	FCC
Pins	Copper alloy, silver plated
Ecurity	locks into the vehicle while charging.
Working temperature	-30°C~50°C
Single temperature kill switch Stops charging when the adapter reaches 90°C	

## Minimize Using Limitations

- Made of heavy- duty materials
- IP54 for dusty & rainy
- Works properly in -30°C~50°C





# J1772 TO GBT Adapter

Type: American Standard to GB AC Adapter

Main markets: Mexico, South America, Africa



## Product specifications

Specifications	Parameter
Power	Max 8kw
Current	Up to 32A max
Rated voltage	110V~250V/ AC
Plug lifespan	>10000 times
Protection class	IP54
Certification	FCC
Pins	Copper alloy, silver plated
Plastic	PC+ABS
Working temperature	-30°C~50°C
Single temperature kill switch Stops charging when the adapter reaches 90°C	



Output port  
**J1772**



Plug lifespan  
**GBT**



Power off



Power On



J1772 Charging station

J1772 to gbt adapter



### Attention

Please get out the adapter from car after that the button is power off

Connect the J1772 to TYPE 2 end plug to the charging station and then plug the GB car



CHARGERMAN

# J1772 V2L DISCHARGE Adapter

Type: American Standard

Compatible With: Hyundai Loniq 5(American Standard J1772 Plug)



## Product specifications

Specifications	Parameter
Power	Max 4kw
Current	10A ~ 16A max
Rated voltage	110V ~ 250V/ AC
Plug lifespan	>10000 times
Protection class	IP54
Certification	FCC
Pins	Copper alloy, silver plated
Ecurity	locks into the vehicle while charging.
Working temperature	-30°C ~ 50°C
Discharging Power is defined by EV	

## Compatible with



Hyundai loniq 5 (American standard J1772 plug)



Mini Cooper SE



Ford Mustang Mach-E



Porsche Taycan



Tesla Model X

**V2L DISCHARGE ADAPTER**  
The first choice for camping and wildeness enthusiasts

- ✓ Power: 4kw
- ✓ Current: 10A~16A
- ✓ Voltage: 110V~250V

CE FCC CERTIFICATION





# TESLA TO TYPE 2 Adapter

Type: American Standard Tesla to European Standard

Main Markets: North America, Europe

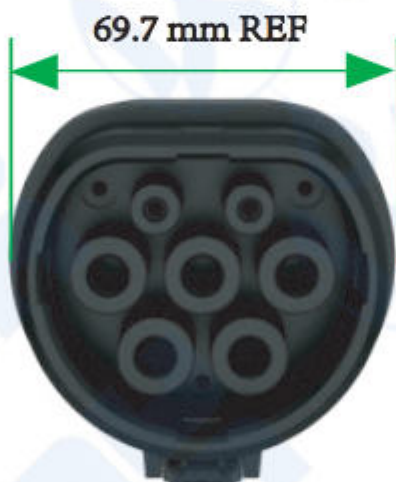


## Product specifications

Specifications	Parameter
Power	Max 14 kw
Current	Up to 60A max
Rated voltage	240V/ AC
Plug lifespan	>10000 times
Protection class	IP54
Certification	CE FCC
Pins	Copper alloy, silver plated
Plastic	PC+ABS
Working temperature	-30°C~50°C
Splash-proof, suitable for outdoor charging	



Input port  
**TESLA**



Output port  
**TYPE 2**



### QUICK CHARGING

Splash-proof, suitable for outdoor charging

High Compatibility

High Quality

Stable & Safety

IP54 Waterproof  
(in working condition)



CHARGERMAN

# J1772 MODE 3 WALL CHARGER



Output port  
**J1772**



Any Color  
**RED**

## Product specifications

Specifications	Parameter
Power	7.7KW/9.6KW/11.5KW
Current	32A/40A/48A (Single Phase)
Length	6m/12m (19.7ft/39.4ft)
Frequency	50/60Hz
Protection class	IP55
Certification	FCC
Warranty	12 months
Operational Voltage	240V (Single Phase)
Working temperature	-30°C ~50°C
Compatible With All US EV	

## HIGH-SPEED CHARGING



Up to 48 Amps



Fast Night Charging 11.52 kWh

### J1772 MODE3 EV CHARGER

**PRODUCT PARAMETERS**

- Rated Power: 7kw/11kw
- Rated Voltage: 240V
- Rated current: 32A/40A/48A
- Protection level: IP55
- Frequency: 50/60HZ
- Operating temperature: -40°C ~ +85°C
- Certification: CE TUV





CHARGERMAN

# TESLA/NACS WALL CHARGER



## Product specifications

Specifications	Parameter
Power	7.7KW/9.6KW/11.5KW
Current	32A/40A/48A (Single Phase)
Length	6m/12m (19.7ft/39.4ft)
Frequency	50/60Hz
Protection class	IP55
Certification	FCC
Warranty	12 months
Operational Voltage	240V (Single Phase)
Working temperature	-30°C~50°C
Plug-in cylinders	>10,000
Compatible With All TESLA EV	



TESLA

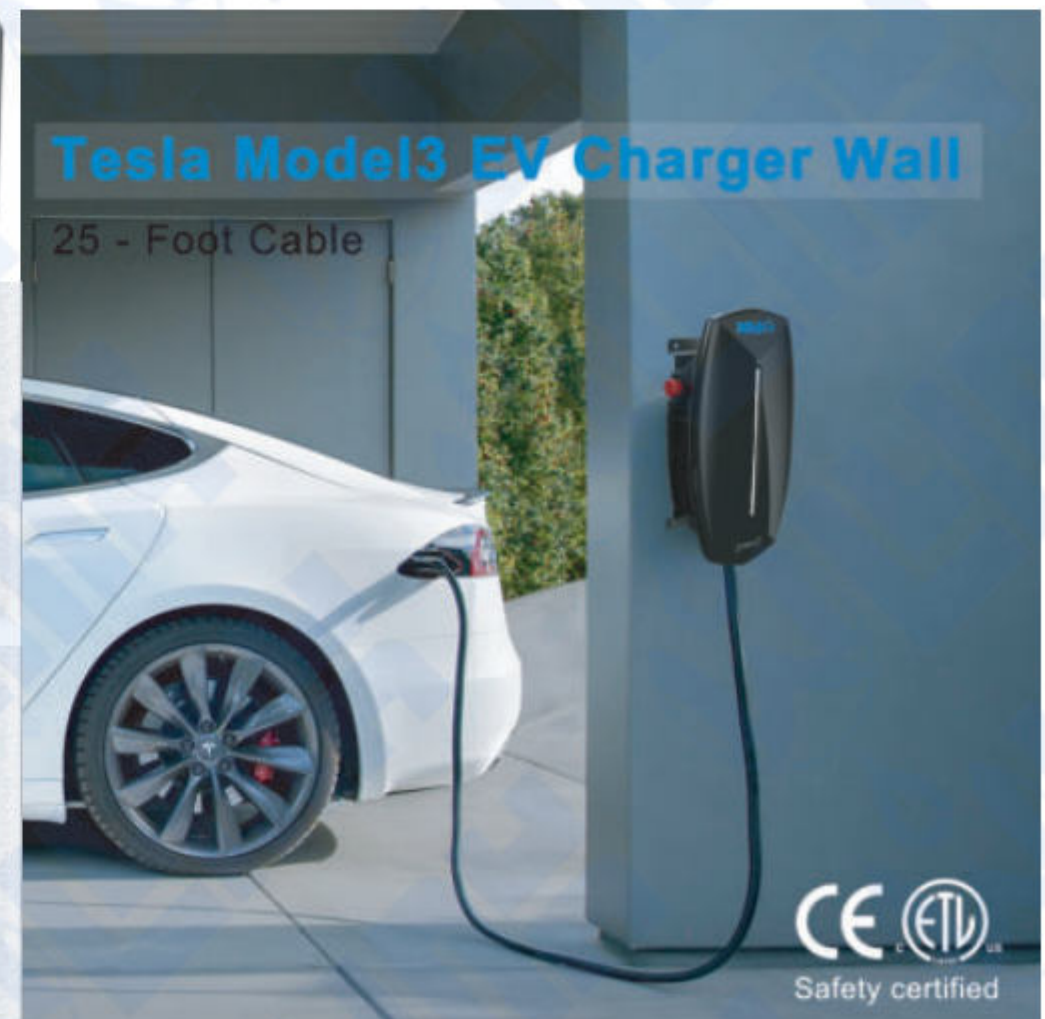
Any Color  
**RED**



### Tesla Model3 EV Charger Wall

PRODUCT PARAMETERS

- Rated Power: 7kw/11Kw
- Rated Voltage: 240V
- Rated current: 32A/40A/48A
- Protection level: IP55
- Material: Plastic
- Certification: CE TUV
- Frequency: 50/60HZ
- Operating temperature: -40°C ~ +85°C





CHARGERMAN

# J1772 PORTABLE EV CHARGER



**Rated power:**  
**1.75KW/7.7KW/9.6KW**

## Product specifications

Specifications	Parameter
Current	16A/32A/40A (Single Phase)
Plug-in cylinders	>10,000
Frequency	50/60Hz
Protection class	IP55
Certification	FCC
Warranty	12 months
Operational Voltage	240V (Single Phase)
Working temperature	-30°C~50°C
Plug Type/Hardwire	NEAM 14-50 NEAM 6-50
Compatible With All US EV	



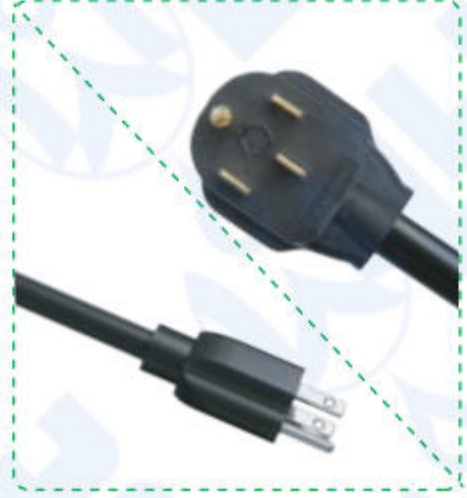
J1772 plug

- USER-FRIENDLY DESIGN**  
No installation required & easy to carry
- Insert Power Plug into the outlet on the wall
  - Insert type 1 plug into the Inlet on the EV
  - Start charging after the LED light 1 blinking



Cable Wires

Single-phase plug





CHARGERMAN

# TESLA PORTABLE EV CHARGER



**Rated power:**  
**1.75KW/7.7KW/9.6KW**

## Product specifications

Specifications	Parameter
Current	16A/32A/40A (Single Phase)
Plug-in cylinders	>10,000
Frequency	50/60Hz
Protection class	IP55
Certification	FCC
Warranty	12 months
Operational Voltage	240V (Single Phase)
Working temperature	-30°C~50°C
Plug Type/Hardwire	NEAM 14-50 NEAM 6-50
Compatible With All TESLA EV	



**Adjustable Current & Schedule Charging Function**

Double Click to Adjustable Current:  
**16A / 20A / 24A / 32A / 40A**

2H — 10H

**2 / 4 / 6 / 8 / 10 Hours**  
Set charging countdown when plugged into car socket



CHARGERMAN

# J1772 EV CHARGING EXTENSION CORD



## Product specifications

Specifications	Parameter
Operational Voltage	240V
Current	16A/32A/48A
Length	5m/6m/12m (16.4ft/19.7ft/39.4ft)
Frequency	50/60Hz
Protection class	IP55
Certification	FCC
Warranty	12 months
Plastic	PC+ABS
Working temperature	-30°C ~50°C
Compatible With All US EV	



Output port  
**J1772**



Plug lifespan  
**J1772**





CHARGERMAN

# TESLA / NACS EV CHARGING EXTENSION CORD



## Product specifications

Specifications	Parameter
Power	3.5KW/7KW/ 11KW/20KW
Current	16A/32A/48A (Single Phase)
Length	6m/12m (19.7ft/39.4ft)
Frequency	50/60Hz
Protection class	IP55
Certification	FCC
Warranty	12 months
Operational Voltage	240V (Single Phase)
Working temperature	-30°C ~50°C
Compatible With All TESA EV	



Output port  
**TESLA**



Plug lifespan  
**TESLA**

Compatible with Tesla connectors.

[Link to Tesla charging stations](#)



Cable Wires  
3M/5M/10M



Connect To TESA  
Electric Vehicle

## Tesla Extension Cord

Power: 3KW/7KW/11KW/22KW/40KW

Volt: 110V/250V/427V/480V

Amp: 16A/32A/48A





CHARGERMAN

## J1772 MALE/FEMALE WITH CABLE



### Product specifications

Specifications	Parameter
Power	3.5KW~18KW
Current	16A/32A/48A/60A
RCD Protection	Type A + 6mA DC
Frequency	50/60Hz
Protection class	IP55
Certification	FCC
Warranty	12 months
Operational Voltage	110V~240V AC
Working temperature	-30°C~50°C
Working length	20 Ft / 6 m ; 40 Ft / 12 m

Have a professional electrician correctly replace the cable







CHARGERMAN

## TESLA MALE/FEMALE WITH CABLE



### Product specifications

Specifications	Parameter
Power	3.5KW~32KW
Current	16A/32A/48A /60A/80A
RCD Protection	Type A + 6mA DC
Frequency	50/60Hz
Protection class	IP55
Certification	CE, FCC
Warranty	12 months
Operational Voltage	240V/400V DC
Working temperature	-30°C~50°C
Working length	2 0 Ft / 6 m ; 4 0 Ft / 1 2 m
Have a professional electrician correctly replace the cable	



**Only Female or male with cable**





CHARGERMAN

# 150A 200A CCS 2 Plug Combo Type 2 Charger Gun DC Fast Charging Connector



## Product specifications

Specifications	Parameter
Power	Max 200kw
Rated Current	80A /125A / 150A /200A
Operation voltage	1000V/ DC
Insulation Resistance	> 1000MΩ (DC500V)
Protection class	IP55
Certification	CE FCC
Warranty	12 months
Plastic	PC+ABS
Working temperature	-30°C~50°C
150A 200A CCS Combo 2 Plug for Fast Charger Station	



### Nice Appearance

Hand - Held Ergonomic Design

Easy Plug

### Super Compatible CHARGING GUN

Compatible with all electric vehicles with J1772 connector



### Reliable material:

flame retardant, pressure resistance, abrasion resistance, high oil resistance





CHARGERMAN

# 150A 200A CCS 1 Plug DC Fast Charging COMBO 1 Connector for Rapid Charger Station



## Product specifications

Specifications	Parameter
Max Charging Power	200kw/DC
Rated Current	80A / 125A/ 150A/200A
Operation voltage	1000V/ DC
Insulation Resistance	> 1000MΩ (DC500V)
Protection class	IP55
Certification	CE FCC
Warranty	12 months
Plastic	PC+ABS
Working temperature	-30°C~50°C
North America CCS Combo 1 j1772 Plug	

## FEATUGES OF PLUG

Suitable for most new energy vehicles, ergonomic design, comfortable grip, easy to pull and plug

### INTEGRATED PLUG

The intergrated olug is designed to be mor e rugged and even could resist the rolling and crash of the car. IP54 ensure the perfect work outdoors in any environment including rain and snow



### WORKING TEMPERATURE

The plugs have a thermoplastic shell and pins made of silver - plated copper alloy. It can be used normally between -30 °C and 50 °C



### ARCING DESIGN

Owing to the special design, pins could be automatically cleaned during each plug - in process to ensure that no arcing occurs during use.





# INNOVATION ON DEMANDS

Olink Technology R&D team is a group of high qualified, energy and creative experts, equipped with advanced lab.

We set off to survive on quality and develop with innovation, increase new products developing to meet with market changes. Base on meet with safety requirement, we combine with economic efficiency and social responsibility during new products designing. Olink Technology always focus on customer satisfaction by continuously enhance quality management so as to surpass the peers both in home and abroad.



## Product develop process >>>>>





## Huizhou Olink Technology Co.,LTD

惠州市万物互联科技有限公司

Add: 7/F,8/F, Building 27, Zhongnan Hi-Tech Innovation Park,Huizhou,Ghuangdong,China

Tel: +86-13725088886

Zip: 516057

Email: [olinkvse.com](mailto:olinkvse.com)

Web: [www.olinkvse.com](http://www.olinkvse.com)