

CCS2 - Chademo

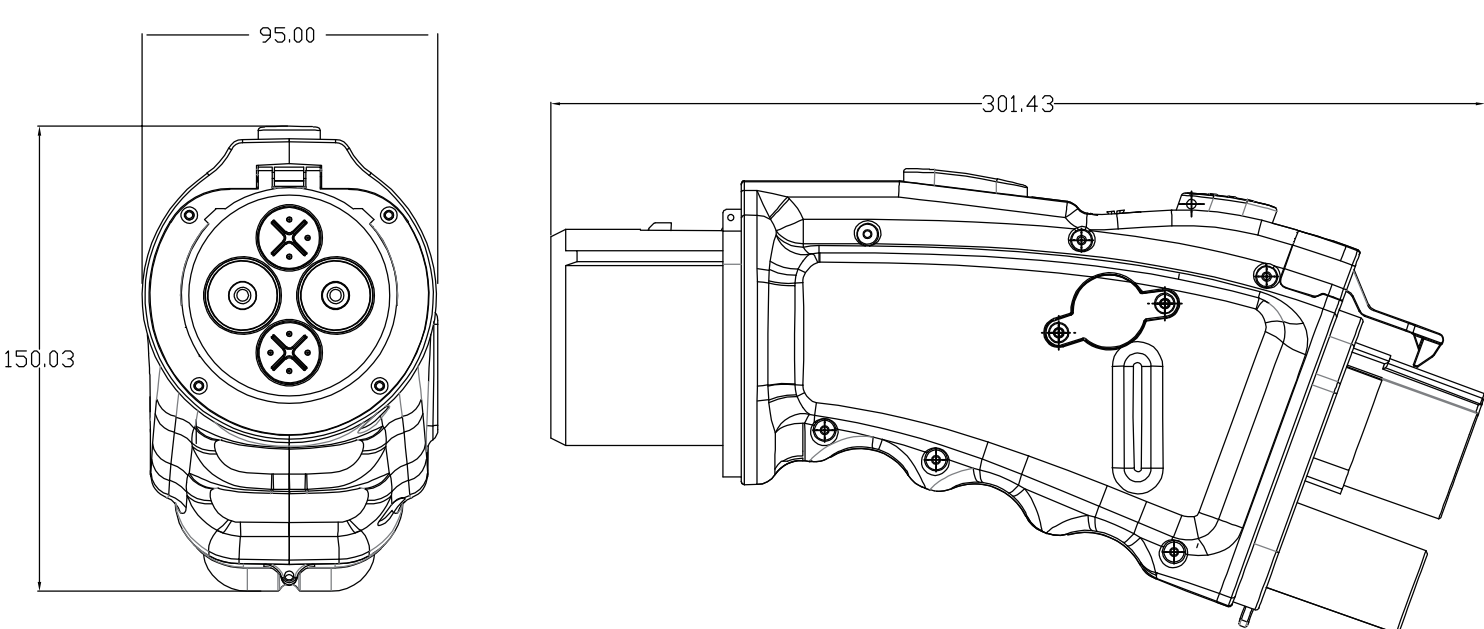
CCS2 to Chademo DC adapter



Parameter/specification sheet

Main markets: Europe, Middle East, Southeast Asla

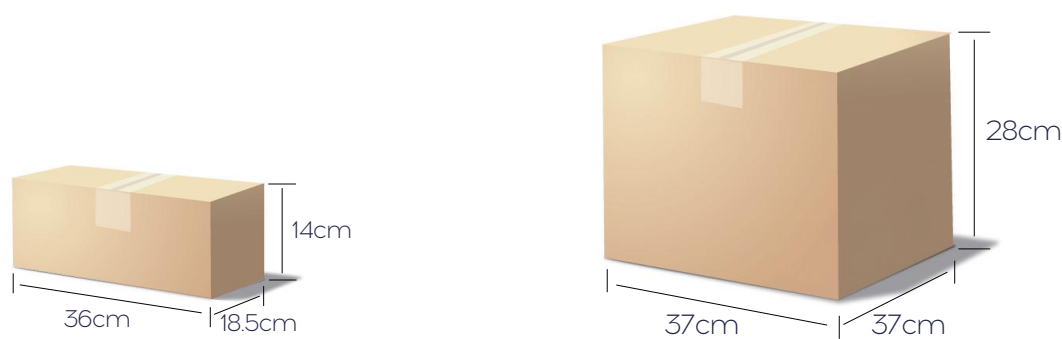
Rated current:250AMax	Conductor: copper alloy, silver plated surface
Rated voltage:1000VDCMax	Working environment temperaturelated: -30°C- +50°C
Contact impedancece:0.5 mΩ Max	Terminal temperature riseture: <50K
Fireproof grade of rubber shell:UL94V-0	Insertion and Extraction Force: <100N
Waterproof grade: IP54(mating)	Net weight : 1.83kg
Plastic shell: thermoplastic plastic	size: 301.43*95.*150.03mm



usage method



Box specifications/weight, quantity, size



Packaging weight 2.33kgs/Quantity 1 piece

Packaging weight ≈10kgs/Quantity 4 piece

Product packaging

