

CCS2 - GBT

CCS2 to GBT DC adapter



front

after

top

bottom

side

Parameter/specification sheet

Rated current:250A Max

Rated voltage:1000VDC Max

Contact impedance:0.5 mΩ Max

Fireproof grade of rubber shell:UL94V-0

Waterproof grade: IP54(mating)

Plastic shell: thermoplastic plastic

Conductor: copper alloy, silver plated surface

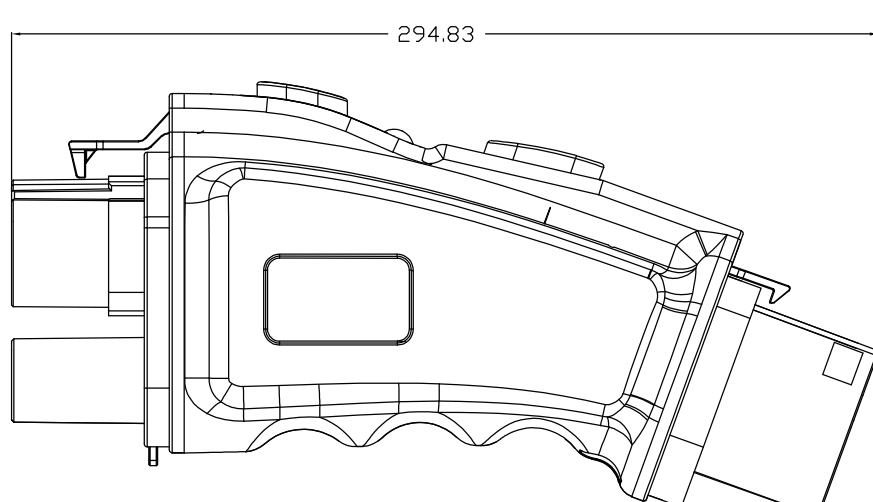
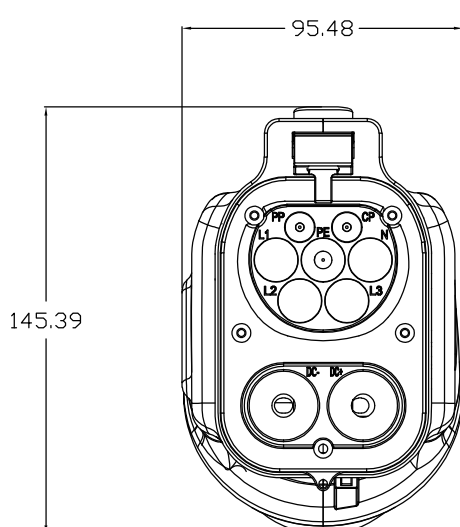
Working environment temperature related: -30°C- +50°C

Terminal temperature rise: <50K

Insertion and Extraction Force: <140N

weight: 2.3kg

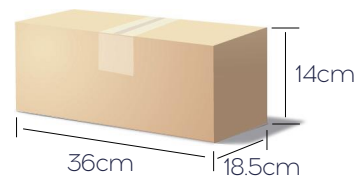
size: 294.83*95.48*145.39mm



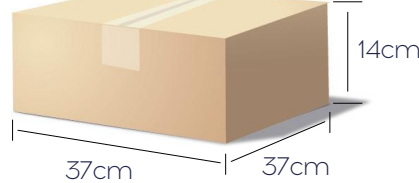
usage method



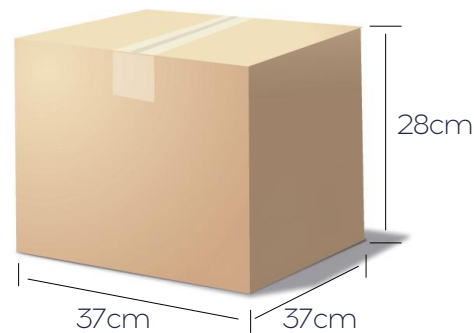
Box specifications/weight, quantity, size



Weight 2.3kgs/Quantity 1 piece



Weight 5kgs/Quantity 2 piece



Weight 10kgs/Quantity 4 piece

Product packaging

